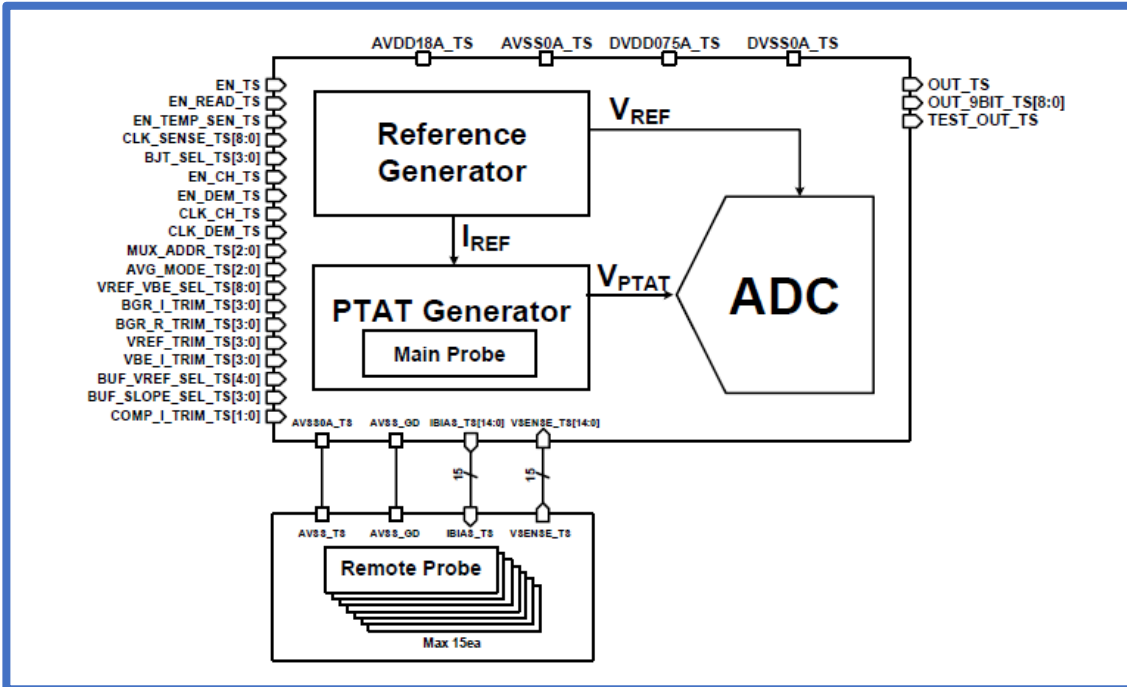


Temperature Sensor (sc_tem0804x_In08lpp, sc_tem0804xr_In08lpp)

Block Diagram



Features

- 8nm Low Power Plus (LN08LPP) CMOS device technology
- 1.8V±10%, 0.75V±10% dual power supply
- Operating junction temperature(T_J): -40~125°C
- Resolution: 1 °C
- Accuracy: ±3 °C
- Power consumption: 0.72mW
- Area: 177µm x 151µm (Temperature sensor)
- Area: 26µm x 27µm (Remote probe)
- Junction temperature(T_J) sensing
- Multiple hot spot monitoring via remote probes
- Typical applications - Mobile/Consumer

IP Status

- DK : Ready