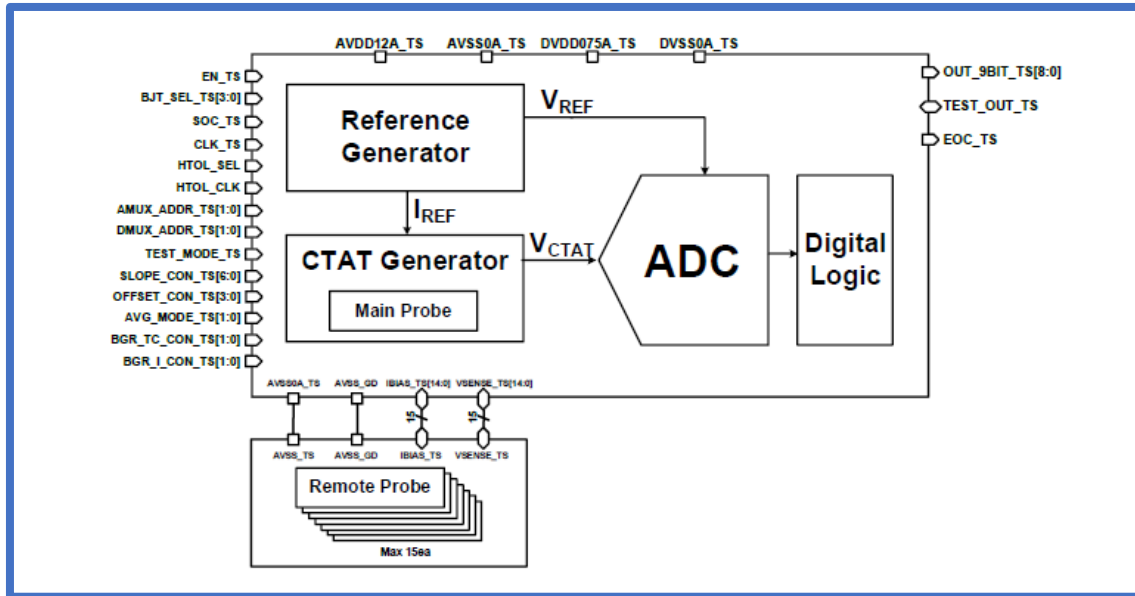


Temperature Sensor (sc_tem0401x_In04lpp)

Block Diagram



Features

- 4nm Low Power Plus (LN04LPP) CMOS device technology
- Dual power supply: 1.2V±10%, 0.75V±10%
- Operating junction temperature(TJ): -40°C to125°C
- Resolution: 0.5°C
- Accuracy: ±3°C
- Power consumption: 0.24mW
- Area (Temperature sensor): 99µm x 120µm
- Area (Remote probe): 22.08µm x 23.328µm
- Junction temperature(TJ) sensing
- Multiple hot spots monitoring via remote probes
- Typical applications
 - Mobile/Consumer

IP Status

- DK : Ready