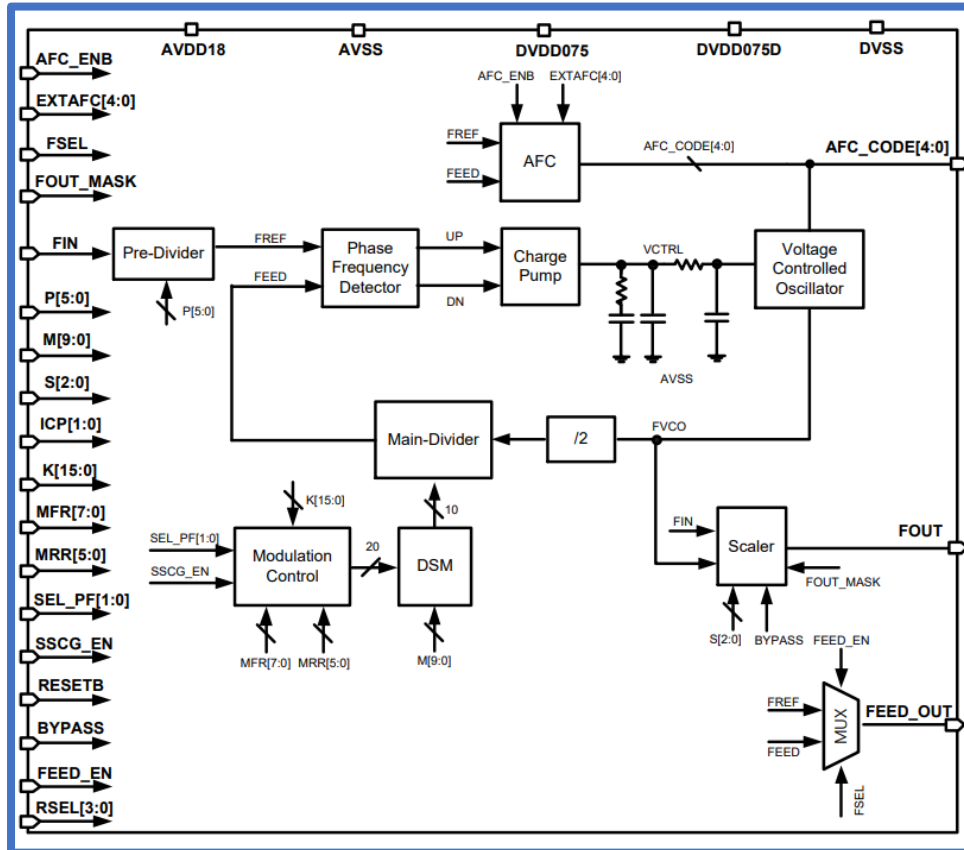


# Fractional-N/SSC PLL (sc\_pll0834x\_ln08lpp\_306011)

## Block Diagram



## Features

- 8nm Low Power Plus (LN08LPP) CMOS device technology
- Dual power supply of 1.8V±10% and 0.85V+5% ~ 0.75V-10%
- Operating junction temperature(TJ): -40°C ~ 125°C
- Output frequency range: 51.6MHz ~ 6.6GHz
- Duty ratio: 45 ~ 55%
- Power down mode
- Area: 140µm x 181.608µm
- Bypass mode (FOUT = FIN)
- Programmable dividers
- Glitch-free scaler
- On-chip loop filter
- Typical applications: Mobile/Consumer

## IP Status

- DK : Ready