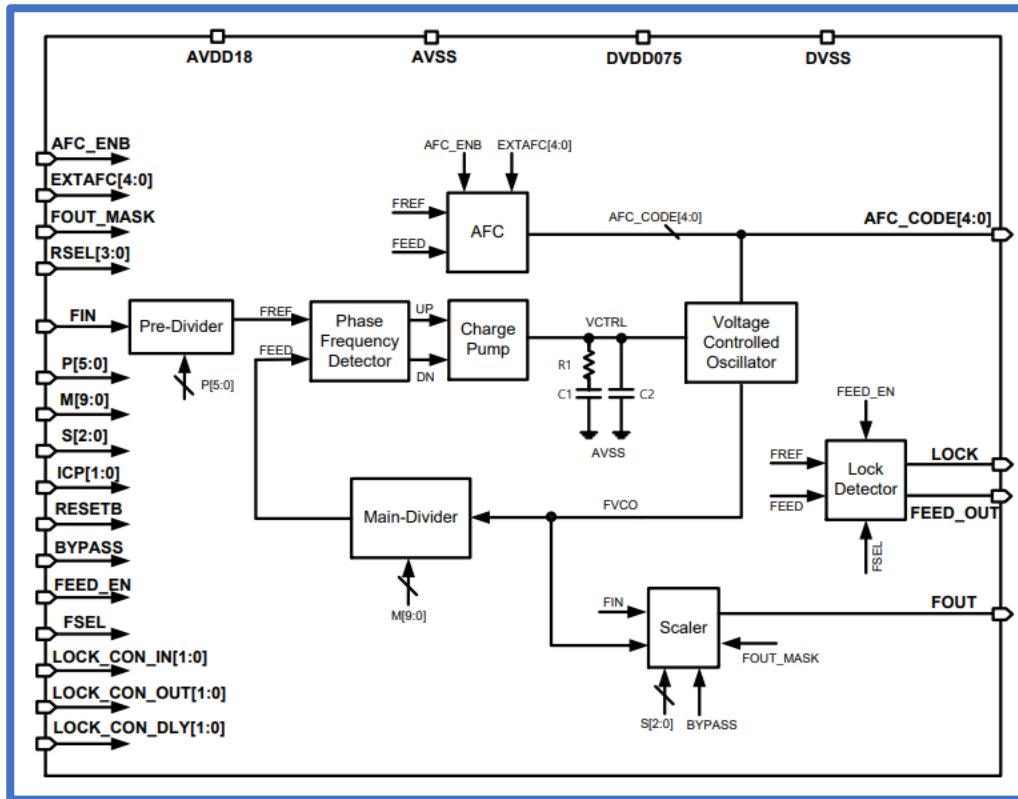


# Integer PLL (sc\_pll0816x\_in08lpp\_306011)

## Block Diagram



## Features

- 8nm Low Power Plus (LN08LPP) CMOS device technology
- Dual power supply of 1.8V±10% and 0.85V+5% ~ 0.75V-10%
- Operating junction temperature(TJ): -40°C ~ 125°C
- Output frequency range: 35.2MHz ~ 4.5GHz
- Duty ratio: 47 ~ 53%
- Power down mode
- Area: 126.0µm x 123.9µm
- Bypass mode (FOUT = FIN)
- Programmable dividers
- Lock detector
- Glitch-free scaler
- On-chip loop filter
- Typical applications: Mobile/Consumer

## IP Status

- DK : Ready