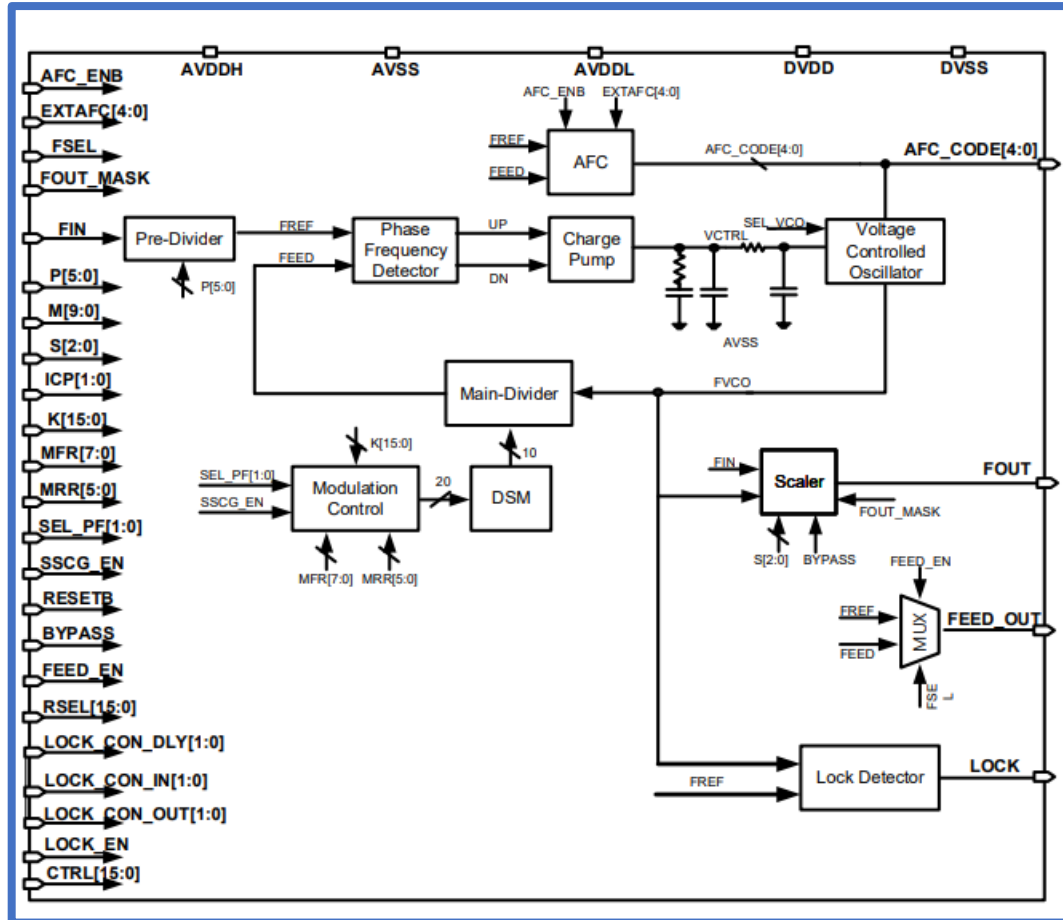


# Fractional-N/SSC PLL (sc\_pll0434x\_in04lpp\_3207002)

## Block Diagram



## Features

- 4nm Low Power Plus (LN04LPP) CMOS device technology
- Dual power supply of 1.2V±10% and 0.85V+5% ~ 0.75V-10%
- Operating junction temperature(TJ): -40°C ~ 125°C
- Output frequency range: 35.156MHz ~ 4.5GHz
- Duty ratio: 45 ~ 55%
- Power down mode
- Area: 169.9µm x 208µm
- Bypass mode (FOUT = FIN)
- Programmable dividers
- Glitch-free scaler
- On-chip loop filter
- Lock Detector
- Typical applications: Mobile/Consumer

## IP Status

- DK : Ready