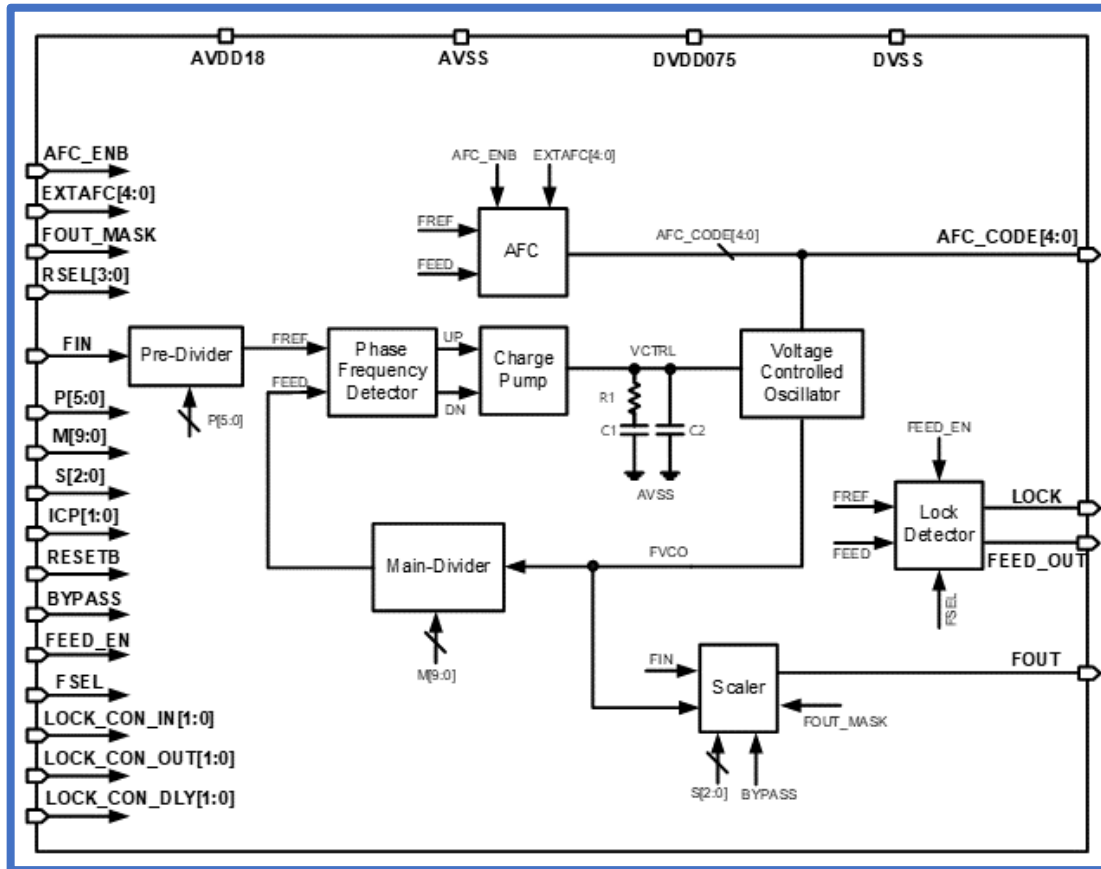


Integer PLL (sc_plla0519x_In05lpe_4007002)

Block Diagram



Features

- 5nm Low Power Enhanced (LN05LPE) CMOS device technology
- Dual power supply of $1.8V \pm 10\%$ and $0.75V \pm 10\%$
- Operating junction temperature(TJ): $-40^{\circ}C \sim 125^{\circ}C$
- Output frequency range: 25MHz ~ 3.2GHz
- Duty ratio: 45 ~ 55%
- Power down mode
- Area: $130\mu m \times 159.948\mu m$
- Bypass mode (FOUT = FIN)
- Programmable dividers
- Glitch-free scaler
- On-chip loop filter
- Typical applications: Mobile/Consumer

IP Status

- DK : Ready