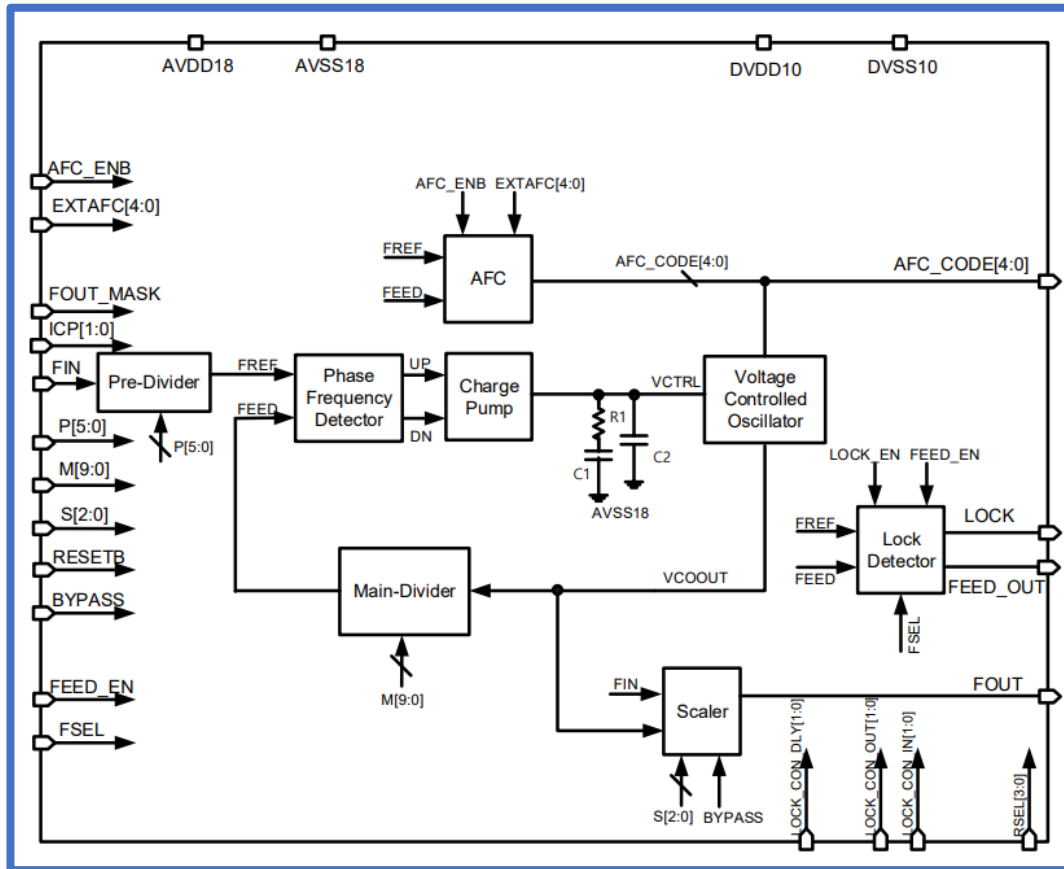


Integer PLL (sc_pll2851x_ln28fds_6002)

Block Diagram



Features

- 28nm Fully Depleted Silicon On Insulator (LN28FDS) CMOS device technology
- Dual power supply of 1.8V±10% and 1.1V+5% ~1.0V-10%
- Operating junction temperature(TJ): -40°C ~ 125°C
- Output frequency range: 19.5MHz ~ 2.5GHz
- Duty ratio: 45 ~ 55%
- Power down mode
- Area: 200µm x 200µm
- Bypass mode (FOUT = FIN)
- Programmable dividers
- Lock detector
- Glitch-free scaler
- On-chip loop filter
- Typical applications: Mobile/Consumer

IP Status

- DK : Ready