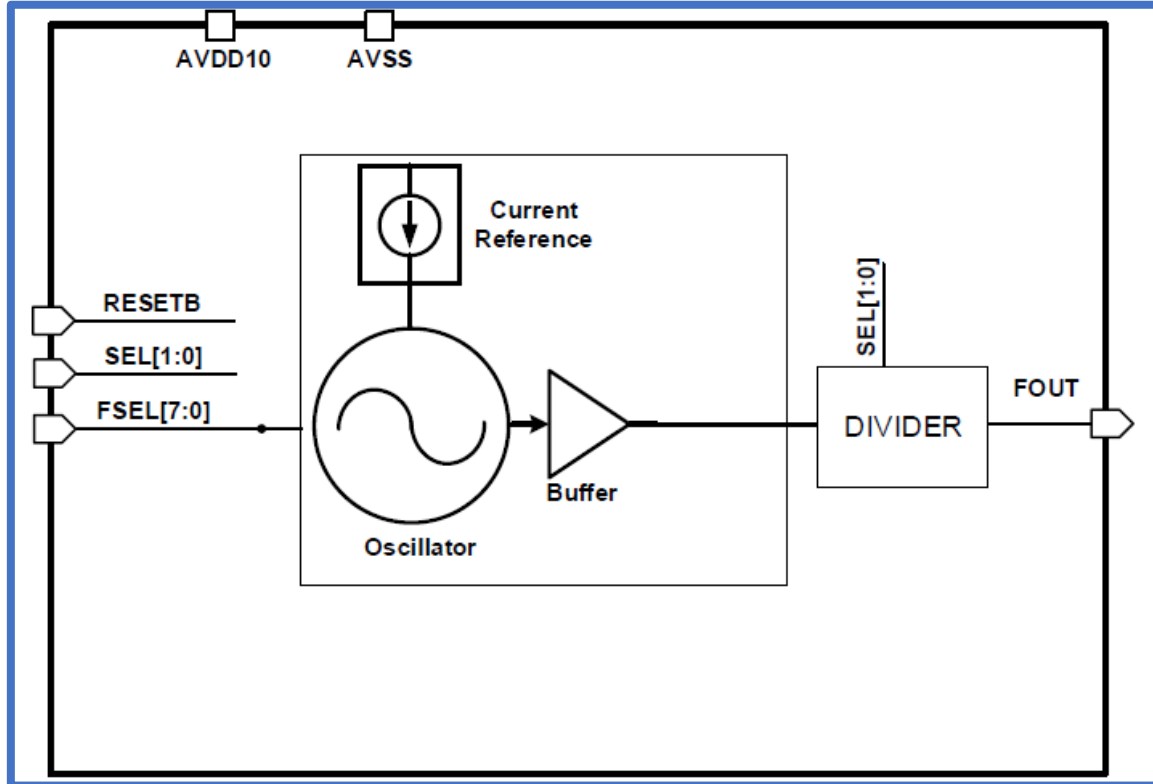


Oscillator (sc_osc2802x_In28fds)

Block Diagram



Features

- 28nm FDSOI (LNM28FDS) CMOS device technology
- Single power supply of 1.1V-10% ~ 1.1V+5%
- Operating junction temperature(TJ): -40°C ~ 125°C
- Output frequency range: 30k~240kHz
- Duty ratio: 45 ~ 55%
- Area: 120μm × 120μm
- Power down mode
- Typical applications
- Mobile/Consumer

IP Status

- DK : Ready