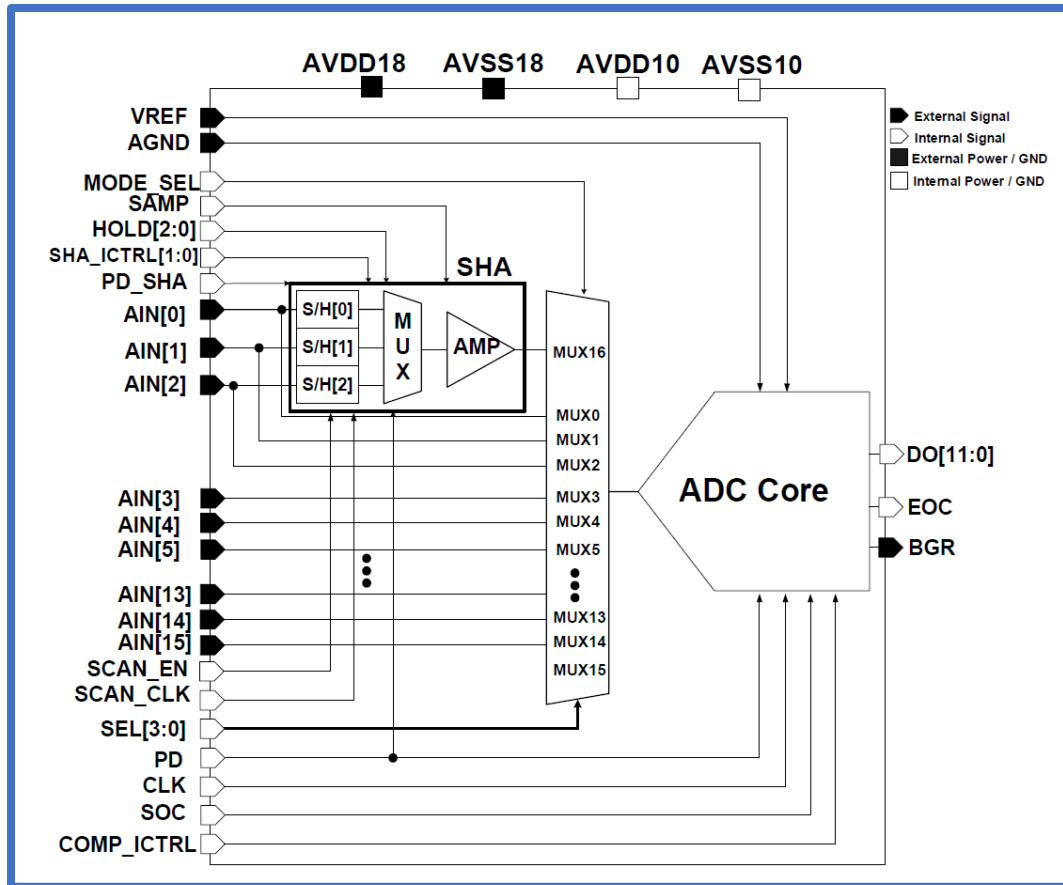


ADC (sc_adc2859x_In28fds)

Block Diagram



Features

- 28nm FDS (LN28FDS) CMOS Device Technology
- Dual Power Supply
 - Analog Supply (AVDD18): $1.8V \pm 10\%$
 - Logic Supply (AVDD10): $1.1V \pm 10\%$
- Operating Junction Temperature (TJ): $-40 \sim 125^{\circ}\text{C}$
- Power Consumption: 3mW (Typical)
- Power Down: 0.1mW (Typical)
- Area: TBD
- Resolution: 12-bit
- Conversion Rate (FS): 1.25MS/s
- Main Clock Frequency (FCLK): 25MHz

ADC (sc_adc2859x_In28fds)

Features

- Sampling Clock Frequency (FSOC): 1.25MHz
- Input Range: 0V ~ 1.8V (Typical) for ADC Core only, 0.15V~ [AVDD18-0.15V] for with S/H mode.
- Input Frequency (FAIN): DC ~ 100kHz (@ FS = 1.25MS/s)
- Digital Output: CMOS Level (0 ~ AVDD10)
- Typical Applications
- Mobile Application Processor
- Battery Checker
- Portable Equipment
- Low Power Application

IP Status

- DK : Ready