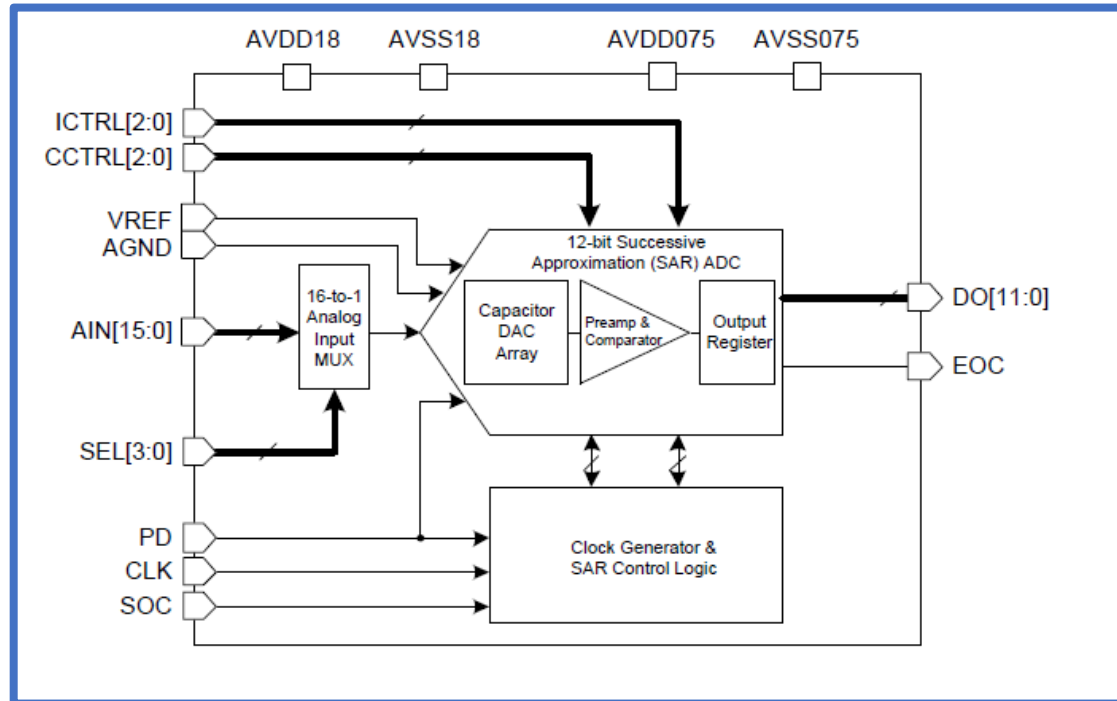


# ADC (sc\_adc0802x\_In08lpp)

## Block Diagram



## Features

- 8nm Low Power Plus (LN08LPP) CMOS Device Technology
- Dual Power Supply
  - Analog Supply (AVDD18):  $1.8V \pm 10\%$
  - Logic Supply (AVDD075):  $0.75V \pm 10\%$
- Operating Junction Temperature (TJ):  $-40 \sim 125^{\circ}\text{C}$
- Power Consumption: 0.8mW (Typical)
- Power Down:  $10\mu\text{W}$  (Typical)
- Area:  $106\mu\text{m} \times 198\mu\text{m}$
- Resolution: 12-bit
- Conversion Rate (FS): 1MS/s
  - Main Clock Frequency (FCLK): 20MHz
  - Sampling Clock Frequency (FSOC): 1MHz

# ADC (sc\_adc0802x\_In08lpp)

## Features

- Input Range: 0V ~ 1.8V (Typical)
- Input Frequency (FAIN): DC ~ 100kHz (@ FS = 1MS/s)
- Digital Output: CMOS Level (0 ~ AVDD075)
- Typical Applications
  - Mobile Application Processor
  - Battery Checker
  - Portable Equipment
  - Low Power Application

## IP Status

- DK : Ready