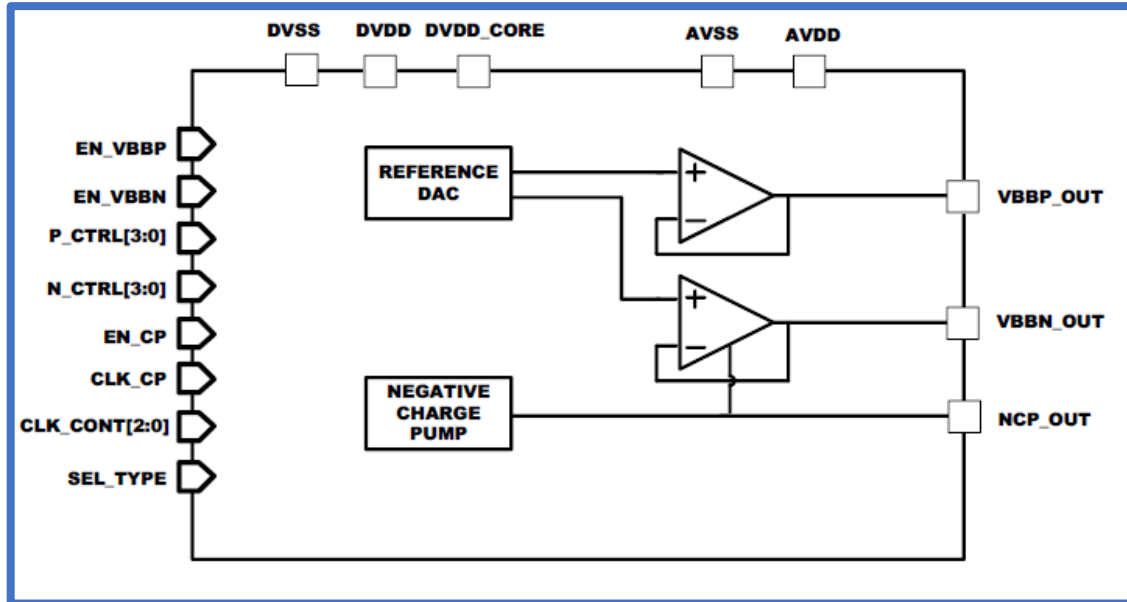


Adaptive Body Bias Generator (sc_abg2852x_ln28fds)

Block Diagram



Features

- 28nm Fully Depleted SOI (LN28FDS) CMOS device technology
- 1.8V±10% and 0.72V~1.1V dual power supply
- Operational Junction Temperature(TJ): -40~125°C
- Controllable output range: 0.3 V to 1.4 V and -1.4 V to -0.3 V
- Programmable output voltage with 4-bit control(100mV step)
- Driving capability: Up to 50uA
- Operation mode: Active and Bypass Mode
- Required Negative Charge Pump output capacitance: 1uF
- Area: 560μm x 560μm
- Typical Applications
 - Mobile/Consumer/IoT application

IP Status

- DK : Ready